

## JD-73ZYT12-7208T

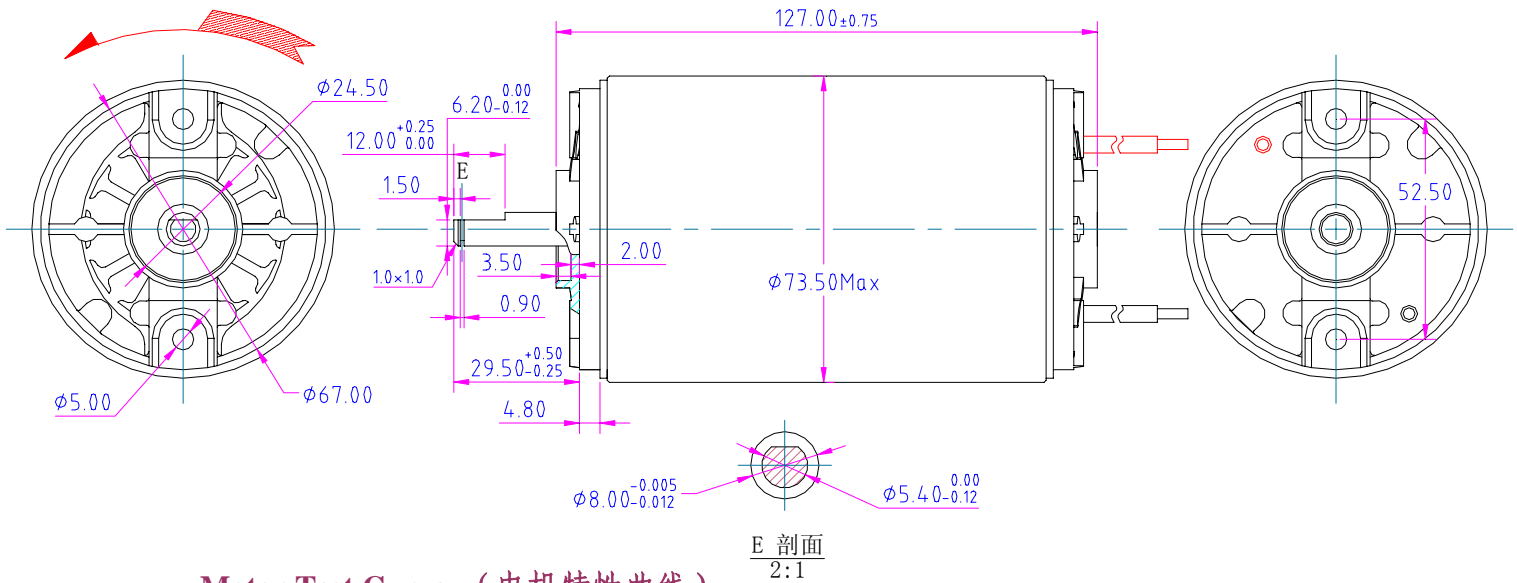
Magnet (磁铁): Ferrite 铁氧体  
 Insulation Class 绝缘等级: B , F  
 Protection 防护等级: No  
 Shaft OD 出轴直径: 8 ~ 12mm  
 Bearing 轴承: Ball / Sleeve  
 Winding 绕线选择:

1. 工作电压范围: 6 ~ 36VDC
2. 额定转速范围: 2,000 ~ 8000 RPM
3. 输出功率范围: 30 ~ 300 W



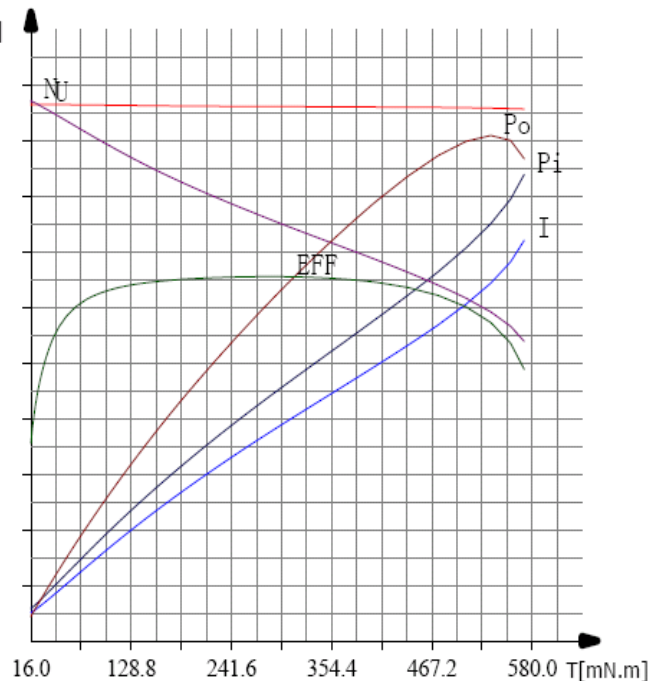
### Motor Dimensions (外形尺寸图)

DIRECTION OF ROTATION



### Motor Test Curve (电机特性曲线)

U[V]	I[A]	Pin[W]	PF[.]	N[rpm]	Pout[W]	EFF[%]
12.50	35.000	360.00	1.00	4600	170.00	100.0
11.25	31.500	324.00	0.90	4140	153.00	90.0
10.00	28.000	288.00	0.80	3680	136.00	80.0
8.75	24.500	252.00	0.70	3220	119.00	70.0
7.50	21.000	216.00	0.60	2760	102.00	60.0
6.25	17.500	180.00	0.50	2300	85.00	50.0
5.00	14.000	144.00	0.40	1840	68.00	40.0
3.75	10.500	108.00	0.30	1380	51.00	30.0
2.50	7.000	72.00	0.20	920	34.00	20.0
1.25	3.500	36.00	0.10	460	17.00	10.0
0.00	0.000	0.00	0.00	0	0.00	0.0



# Jundi DC Motor CO.,LTD

## • Motor Dynamic Test Data (电机动态测试数据)

项次NO.	电压V	电流A	输入功率W	功率因数PF	频率Hz	转矩mN.m	转速rpm	输出功率W	效率%
1	12.05	1.769	20.92	1.000	0.00	16.0	4458	7.47	35.7
2	12.05	1.774	20.96	1.000	0.00	16.0	4461	7.47	35.7
3	12.05	1.771	20.93	1.000	0.00	16.0	4462	7.48	35.7
4	12.05	1.769	20.92	1.000	0.00	17.0	4463	7.94	38.0
5	12.05	1.784	21.13	1.000	0.00	17.0	4461	7.94	37.6
6	12.05	1.824	21.64	1.000	0.00	18.0	4454	8.39	38.8
7	12.05	1.948	23.15	1.000	0.00	21.0	4444	9.77	42.2
8	12.05	2.080	24.77	1.000	0.00	25.0	4432	11.60	46.8
9	12.05	2.317	27.88	1.000	0.00	28.0	4421	12.96	46.5
10	12.05	2.549	30.80	1.000	0.00	34.0	4386	15.62	50.7
11	12.05	2.820	34.20	1.000	0.00	41.0	4354	18.69	54.7
12	12.05	3.186	38.75	1.000	0.00	49.0	4338	22.26	57.4
13	12.05	3.573	43.49	1.000	0.00	55.0	4314	24.85	57.1
14	12.04	4.042	49.30	1.000	0.00	66.0	4270	29.51	59.9
15	12.04	4.562	55.62	1.000	0.00	80.0	4183	35.04	63.0
16	12.04	5.173	63.07	1.000	0.00	90.0	4172	39.32	62.3
17	12.04	5.989	72.53	1.000	0.00	106.0	4102	45.53	62.8
18	12.03	6.729	81.47	1.000	0.00	124.0	4002	51.96	63.8
19	12.03	7.553	91.40	1.000	0.00	145.0	3927	59.62	65.2
20	12.02	8.437	102.01	1.000	0.00	160.0	3882	65.04	63.8
21	12.02	9.388	113.52	1.000	0.00	184.0	3788	72.98	64.3
22	12.01	10.388	125.46	1.000	0.00	209.0	3697	80.91	64.5
23	12.01	11.435	138.00	1.000	0.00	237.0	3600	89.34	64.7
24	12.00	12.552	151.46	1.000	0.00	255.0	3574	95.43	63.0
25	12.00	13.696	165.20	1.000	0.00	325.0	3438	117.00	70.8
26	12.00	14.883	179.35	1.000	0.00	331.0	3337	115.66	64.5
27	12.00	16.089	193.74	1.000	0.00	349.0	3233	118.15	61.0

地址：浙江省余姚市经济开发区B区长庆路15号。TEL: 0574-62820655/62831828, FAX: 0574-62823099

E-mail: [jundi@mail.nbptt.zj.cn](mailto:jundi@mail.nbptt.zj.cn) / [jundi@vip.163.com](mailto:jundi@vip.163.com) 网址: <http://www.jdmotor.com>

