

JD-63ZYT12-9508

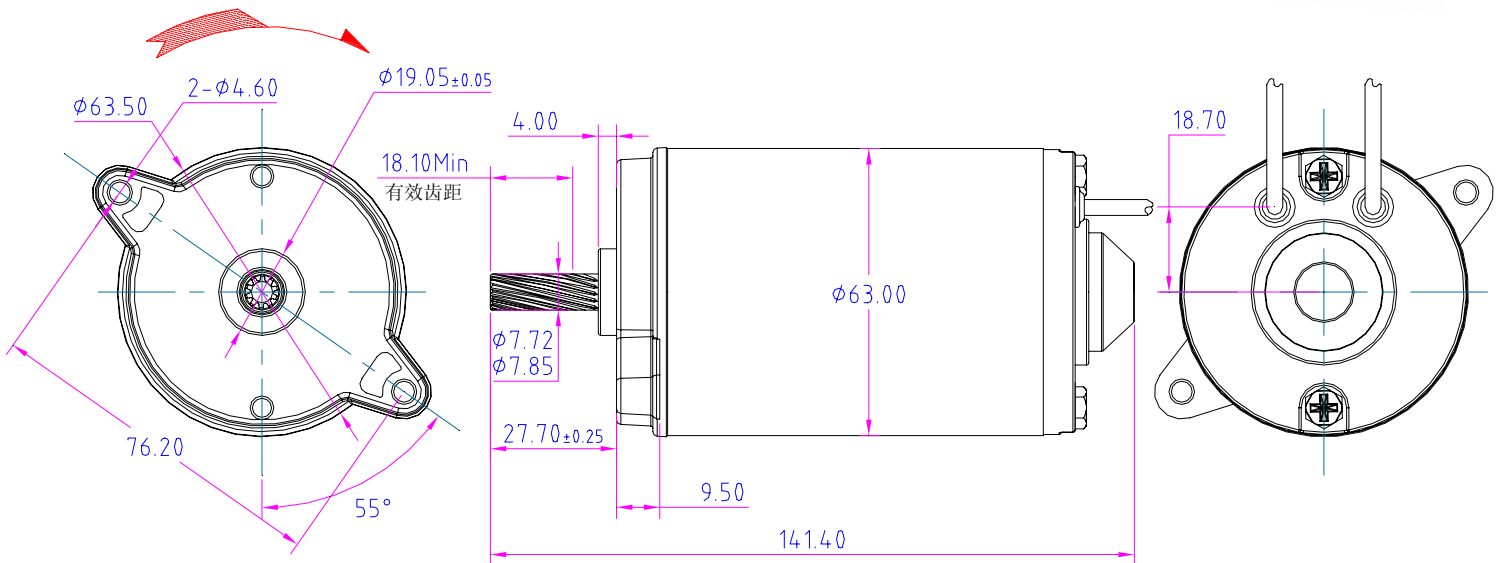
Magnet (磁铁): Ferrite 铁氧体
 Insulation Class 绝缘等级: B , F
 Protection 防护等级: No
 Shaft OD 出轴直径: 8 ~ 12mm
 Bearing 轴承: Ball / Sleeve
 Winding 绕线选择:

1. 工作电压范围: 6 ~ 36VDC
2. 额定转速范围: 2,000 ~ 12,000 RPM
3. 输出功率范围: 25 ~ 150 W

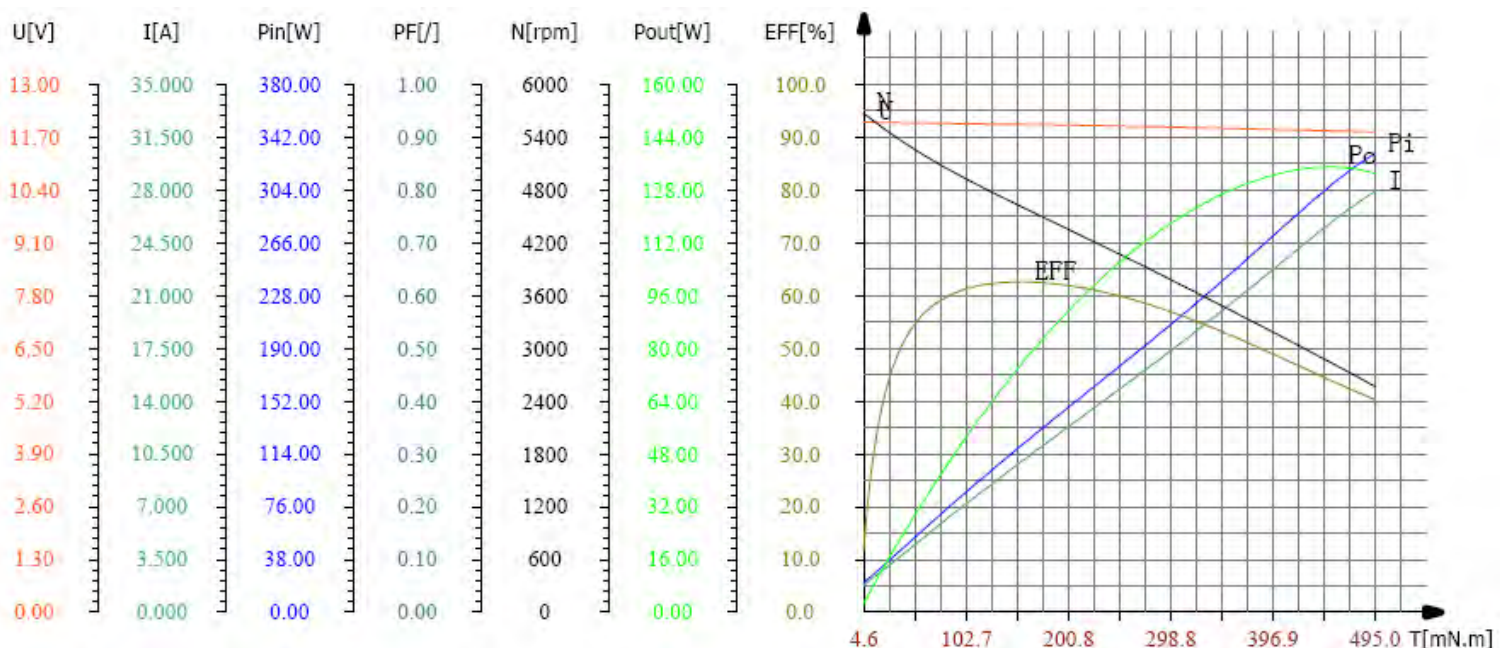


Motor Dimensions (外形尺寸图)

DIRECTION OF ROTATION



Motor Test Curve (电机特性曲线)



Jundi DC Motor CO.,LTD

• Motor Dynamic Test Data (电机动态测试数据)

项次NO.	电压V	电流A	输入功率W	功率因数PF	频率Hz	转矩mN.m	转速rpm	输出功率W	效率%
1	12.03	2.185	25.63	1.000	0.00	4.0	6133	2.57	10.0
2	12.03	2.164	25.34	1.000	0.00	3.9	6143	2.51	9.9
3	12.03	2.274	26.64	1.000	0.00	3.9	6131	2.50	9.4
4	12.03	2.252	26.32	1.000	0.00	3.9	6125	2.50	9.5
5	12.03	2.207	25.77	1.000	0.00	3.9	6128	2.50	9.7
6	12.03	2.212	25.90	1.000	0.00	4.0	6123	2.56	9.9
7	12.03	2.232	26.10	1.000	0.00	4.5	6126	2.89	11.1
8	12.03	2.275	26.64	1.000	0.00	5.1	6117	3.27	12.3
9	12.02	2.347	27.52	1.000	0.00	6.8	6108	4.35	15.8
10	12.02	2.479	29.11	1.000	0.00	13.7	6092	8.74	30.0
11	12.02	2.682	31.71	1.000	0.00	14.6	6062	9.27	29.2
12	12.01	2.972	35.24	1.000	0.00	19.6	6041	12.40	35.2
13	12.01	3.279	38.91	1.000	0.00	29.7	5995	18.64	47.9
14	12.00	3.793	45.21	1.000	0.00	38.2	5889	23.56	52.1
15	11.99	4.222	50.27	1.000	0.00	38.8	5869	23.84	47.4
16	11.99	4.732	56.30	1.000	0.00	55.6	5792	33.72	59.9
17	11.97	5.399	64.06	1.000	0.00	69.4	5668	41.19	64.3
18	11.95	6.119	72.83	1.000	0.00	84.0	5536	48.69	66.9
19	11.94	6.927	82.50	1.000	0.00	85.0	5482	48.79	59.1
20	11.94	7.916	94.00	1.000	0.00	113.4	5373	63.80	67.9
21	11.93	8.916	105.74	1.000	0.00	133.7	5223	73.12	69.2
22	11.92	10.154	120.68	1.000	0.00	155.1	5114	83.06	68.8
23	11.92	11.358	135.12	1.000	0.00	162.1	5023	85.26	63.1
24	11.90	12.569	149.52	1.000	0.00	195.4	4879	99.83	66.8
25	11.89	14.037	165.60	1.000	0.00	220.2	4671	107.70	65.0
26	11.85	15.538	184.29	1.000	0.00	226.2	4573	108.32	58.8
27	11.83	17.087	201.62	1.000	0.00	262.0	4387	120.36	59.7

地址：浙江省余姚市经济开发区B区横三路。TEL：0574-62820655/62831828, FAX：0574-62823099

E-mail: jundi@mail.nbptt.zj.cn / jundi@vip.163.com 网址: <http://www.jdmotor.com>

