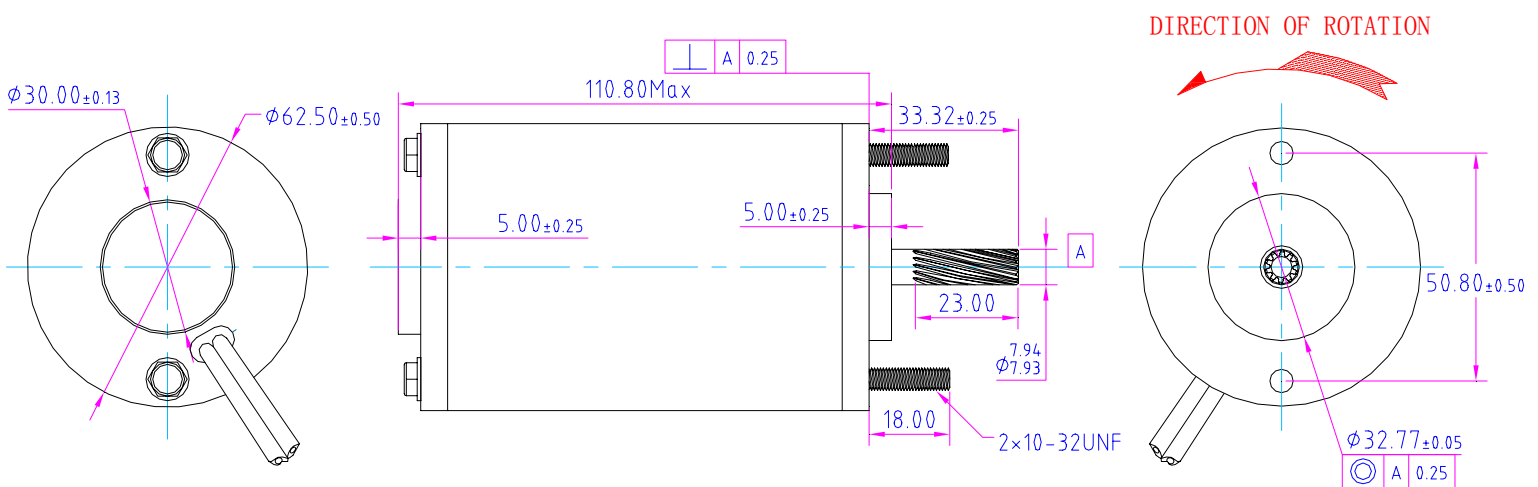


JD-63ZYT10-8007T

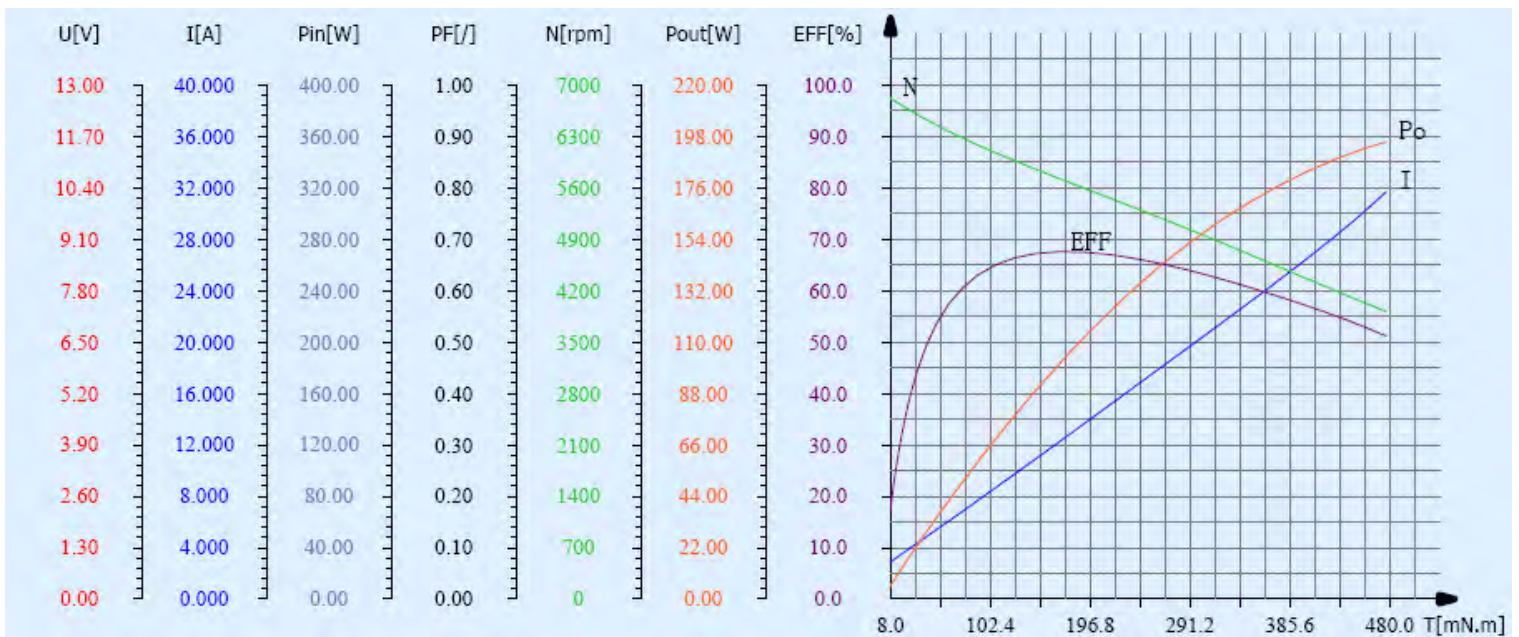
Magnet (磁铁): Ferrite 铁氧体
 Insulation Class 绝缘等级: B , F
 Protection 防护等级: No
 Shaft OD 出轴直径: 8 ~ 12mm
 Bearing 轴承: Ball / Sleeve
 Winding 绕线选择:
 1. 工作电压范围: 6 ~ 36VDC
 2. 额定转速范围: 2,000 ~ 12,000 RPM
 3. 输出功率范围: 25 ~ 150 W



• **Motor Dimensions (外形尺寸图)**



• **Motor Test Curve (电机特性曲线)**



Jundi DC Motor CO.,LTD

• Motor Dynamic Test Data (电机动态测试数据)

项次 NO.	电压V	电流A	输入功率W	功率因数PF	频率Hz	转矩mN.m	转速rpm	输出功率W	效率%
1	12.05	2.869	32.97	1.000	0.00	8.0	6813	5.71	17.3
2	12.05	2.855	32.85	1.000	0.00	8.1	6819	5.78	17.6
3	12.05	2.837	32.58	1.000	0.00	8.2	6820	5.86	18.0
4	12.05	2.839	32.54	1.000	0.00	8.2	6820	5.86	18.0
5	12.05	2.846	32.68	1.000	0.00	8.1	6817	5.78	17.7
6	12.05	2.854	32.79	1.000	0.00	8.2	6815	5.85	17.8
7	12.05	2.890	33.17	1.000	0.00	8.6	6809	6.13	18.5
8	12.05	3.092	35.78	1.000	0.00	9.9	6798	7.05	19.7
9	12.05	3.108	35.94	1.000	0.00	12.1	6779	8.59	23.9
10	12.05	3.382	39.35	1.000	0.00	14.0	6766	9.92	25.2
11	12.05	3.736	44.08	1.000	0.00	21.7	6693	15.21	34.5
12	12.05	3.969	47.39	1.000	0.00	27.6	6668	19.27	40.7
13	12.05	4.415	52.42	1.000	0.00	34.7	6602	23.99	45.8
14	12.04	4.817	58.04	1.000	0.00	41.4	6536	28.33	48.8
15	12.04	5.475	66.01	1.000	0.00	52.1	6472	35.31	53.5
16	12.04	5.998	72.58	1.000	0.00	61.5	6377	41.07	56.6
17	12.04	6.679	81.08	1.000	0.00	74.7	6228	48.72	60.1
18	12.04	7.613	92.83	1.000	0.00	91.1	6183	58.98	63.5
19	12.04	8.725	105.62	1.000	0.00	105.3	6060	66.82	63.3
20	12.04	9.638	117.32	1.000	0.00	124.5	5993	78.13	66.6
21	12.04	11.055	133.56	1.000	0.00	146.7	5842	89.74	67.2
22	12.03	12.093	147.12	1.000	0.00	164.7	5761	99.35	67.5
23	12.03	13.441	163.56	1.000	0.00	189.5	5601	111.14	67.9
24	12.03	14.921	181.52	1.000	0.00	214.9	5446	122.55	67.5
25	12.03	16.474	200.32	1.000	0.00	235.9	5356	132.30	66.0
26	12.03	18.075	219.61	1.000	0.00	263.7	5178	142.98	65.1
27	12.02	19.705	239.32	1.000	0.00	292.7	5012	153.61	64.2

地址：浙江省余姚市经济开发区B区横三路。TEL：0574-62820655/62831828，FAX：0574-62823099

E-mail：jundi@mail.nbptt.zj.cn / jundi@vip.163.com 网址：<http://www.jdmotor.com>

