

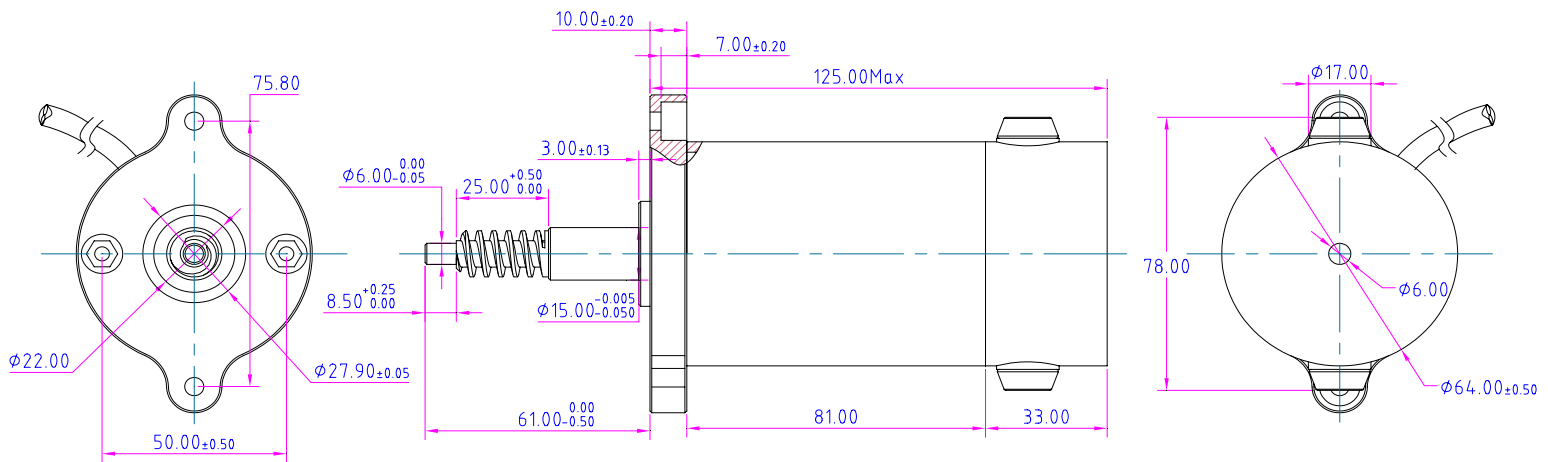
## JD-64ZYT12W-7214

Magnet (磁铁): Ferrite 铁氧体  
 Insulation Class 绝缘等级: B , F  
 Protection 防护等级: No  
 Shaft OD 出轴直径: 8 ~ 12mm  
 Bearing 轴承: Ball / Sleeve  
 Winding 绕线选择:

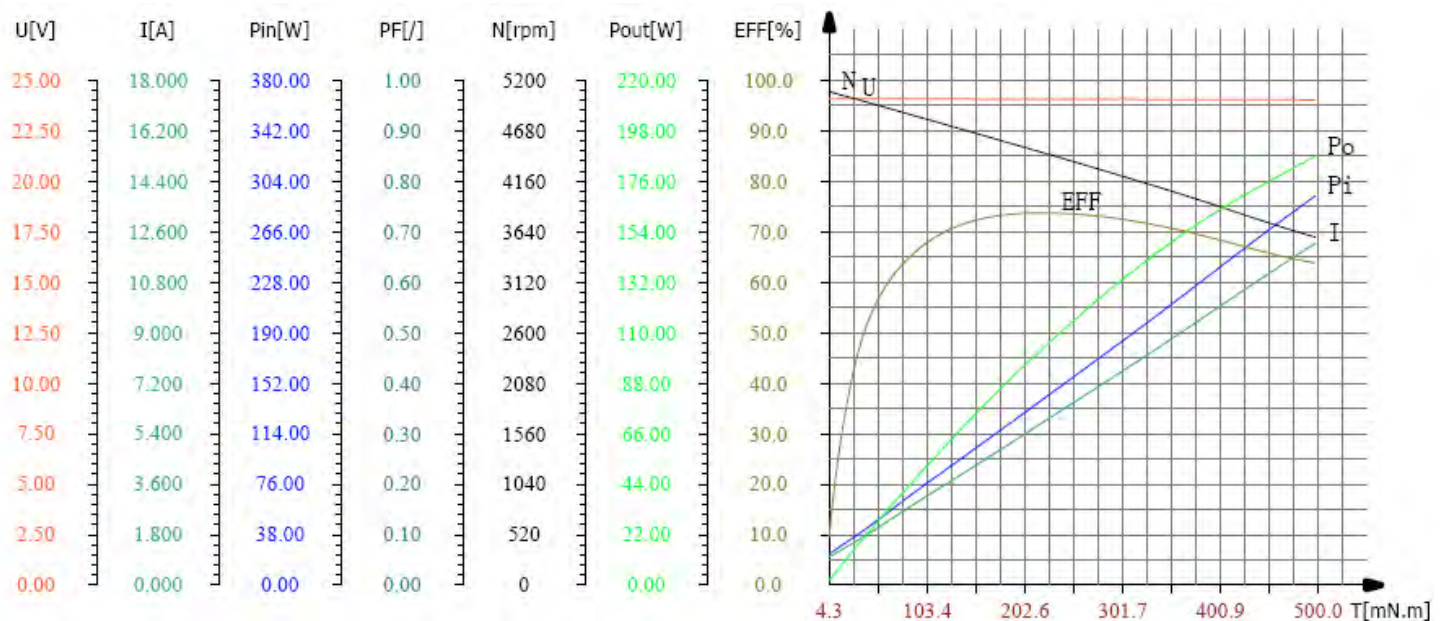
- 1.工作电压范围: 6 ~ 36VDC
- 2.额定转速范围: 2,000 ~ 12,000 RPM
- 3.输出功率范围: 25 ~ 150 W



### Motor Dimensions (外形尺寸图)



### Motor Test Curve (电机特性曲线)



# Jundi DC Motor CO.,LTD

## • Motor Dynamic Test Data (电机动态测试数据)

项次 NO.	电压V	电流A	输入功率W	功率因数PF	频率Hz	转矩mN.m	转速rpm	输出功率W	效率%
1	24.09	1.027	23.79	1.000	0.00	4.4	5078	2.34	9.8
2	24.09	1.014	23.49	1.000	0.00	4.4	5079	2.34	10.0
3	24.09	1.021	23.68	1.000	0.00	4.4	5081	2.34	9.9
4	24.09	1.026	23.83	1.000	0.00	4.3	5079	2.29	9.6
5	24.09	1.033	23.99	1.000	0.00	4.3	5078	2.29	9.5
6	24.09	1.039	24.11	1.000	0.00	4.3	5078	2.29	9.5
7	24.09	1.030	23.87	1.000	0.00	4.4	5081	2.34	9.8
8	24.09	1.024	23.73	1.000	0.00	4.4	5081	2.34	9.9
9	24.09	1.027	23.81	1.000	0.00	4.4	5081	2.34	9.8
10	24.09	1.021	23.69	1.000	0.00	4.4	5084	2.34	9.9
11	24.09	1.020	23.65	1.000	0.00	4.5	5084	2.40	10.1
12	24.09	1.024	23.76	1.000	0.00	4.7	5083	2.50	10.5
13	24.09	1.041	24.17	1.000	0.00	5.1	5080	2.71	11.2
14	24.09	1.044	24.23	1.000	0.00	5.5	5081	2.93	12.1
15	24.09	1.045	24.28	1.000	0.00	6.2	5081	3.30	13.6
16	24.09	1.058	24.63	1.000	0.00	7.0	5077	3.72	15.1
17	24.09	1.081	25.23	1.000	0.00	7.7	5074	4.09	16.2
18	24.09	1.105	25.81	1.000	0.00	9.1	5071	4.83	18.7
19	24.09	1.123	26.26	1.000	0.00	10.2	5068	5.41	20.6
20	24.09	1.161	27.23	1.000	0.00	12.0	5062	6.36	23.4
21	24.09	1.201	28.20	1.000	0.00	14.0	5055	7.41	26.3
22	24.09	1.262	29.72	1.000	0.00	15.5	5048	8.19	27.6
23	24.09	1.317	31.09	1.000	0.00	18.0	5037	9.49	30.5
24	24.09	1.386	32.77	1.000	0.00	20.7	5029	10.90	33.3
25	24.09	1.434	33.93	1.000	0.00	26.9	5026	14.16	41.7
26	24.09	1.497	35.50	1.000	0.00	27.7	5018	14.55	41.0
27	24.09	1.555	36.95	1.000	0.00	33.6	5006	17.61	47.7

地址: 浙江省余姚市经济开发区B区横三路。TEL: 0574-62820655/62831828, FAX: 0574-62823099

E-mail: [jundi@mail.nbptt.zj.cn](mailto:jundi@mail.nbptt.zj.cn) / [jundi@vip.163.com](mailto:jundi@vip.163.com) 网址: <http://www.jdmotor.com>

# Jundi DC Motor CO.,LTD

项次NO.	电压V	电流A	输入功率W	功率因数PF	频率Hz	转矩mN.m	转速rpm	输出功率W	效率%
28	24.09	1.645	39.17	1.000	0.00	34.4	4995	17.99	45.9
29	24.08	1.820	43.54	1.000	0.00	41.3	4981	21.54	49.5
30	24.08	1.862	44.50	1.000	0.00	47.0	4964	24.43	54.9
31	24.08	1.977	47.13	1.000	0.00	52.5	4953	27.23	57.8
32	24.08	2.149	51.84	1.000	0.00	58.6	4936	30.29	58.4
33	24.08	2.315	55.56	1.000	0.00	64.7	4904	33.22	59.8
34	24.08	2.446	58.58	1.000	0.00	70.1	4883	35.84	61.2
35	24.08	2.600	62.43	1.000	0.00	77.2	4866	39.34	63.0
36	24.08	2.761	66.43	1.000	0.00	82.8	4857	42.11	63.4
37	24.08	2.936	70.54	1.000	0.00	91.5	4834	46.32	65.7
38	24.08	3.091	74.42	1.000	0.00	100.0	4818	50.45	67.8
39	24.08	3.253	78.80	1.000	0.00	106.9	4794	53.66	68.1
40	24.08	3.477	83.73	1.000	0.00	117.2	4763	58.45	69.8
41	24.08	3.640	88.17	1.000	0.00	126.8	4741	62.95	71.4
42	24.07	3.901	93.91	1.000	0.00	134.6	4708	66.36	70.7
43	24.07	4.087	99.04	1.000	0.00	146.3	4654	71.30	72.0
44	24.07	4.374	105.44	1.000	0.00	157.3	4631	76.28	72.3
45	24.07	4.562	110.50	1.000	0.00	165.1	4609	79.68	72.1
46	24.07	4.867	117.30	1.000	0.00	178.6	4594	85.92	73.2
47	24.07	5.056	122.45	1.000	0.00	191.4	4553	91.25	74.5
48	24.07	5.378	129.61	1.000	0.00	201.3	4512	95.11	73.4
49	24.07	5.683	136.79	1.000	0.00	214.3	4486	100.66	73.6
50	24.06	5.943	143.23	1.000	0.00	228.6	4442	106.33	74.2
51	24.06	6.258	150.57	1.000	0.00	239.1	4373	109.49	72.7
52	24.06	6.516	157.02	1.000	0.00	253.3	4351	115.40	73.5
53	24.06	6.850	164.96	1.000	0.00	268.1	4326	121.45	73.6
54	24.06	7.132	171.82	1.000	0.00	279.8	4276	125.28	72.9

地址：浙江省余姚市经济开发区B区横三路。TEL：0574-62820655/62831828, FAX：0574-62823099

E-mail: [jundi@mail.nbptt.zj.cn](mailto:jundi@mail.nbptt.zj.cn) / [jundi@vip.163.com](mailto:jundi@vip.163.com) 网址: <http://www.jdmotor.com>