

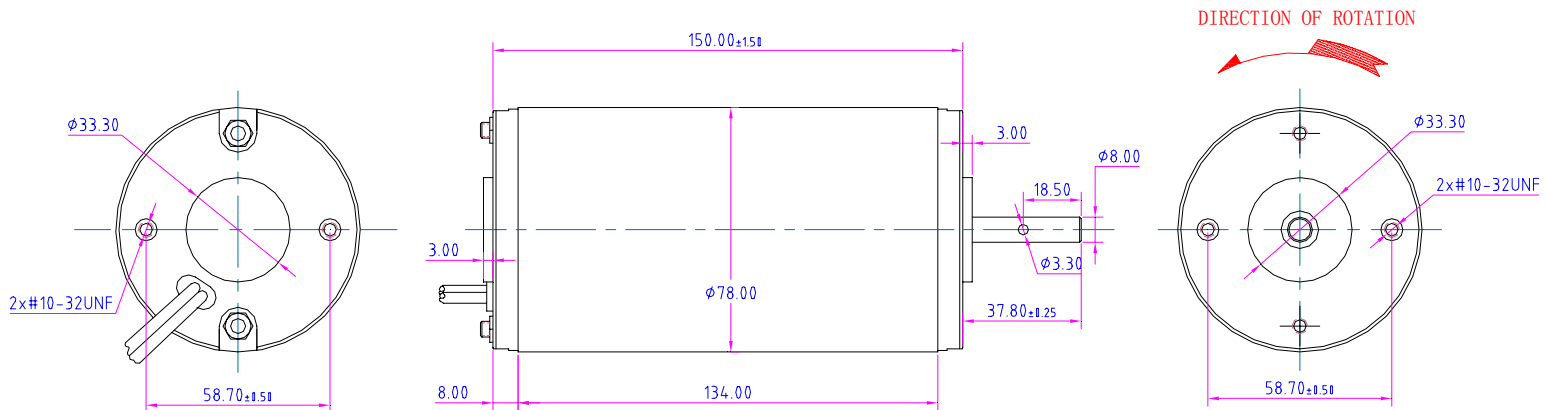
JD-78ZYT12-9507T

Magnet (磁铁): Ferrite 铁氧体
 Insulation Class 绝缘等级: B , F
 Protection 防护等级: No
 Shaft OD 出轴直径: 8 ~ 12mm
 Bearing 轴承: Ball / Sleeve
 Winding 绕线选择:

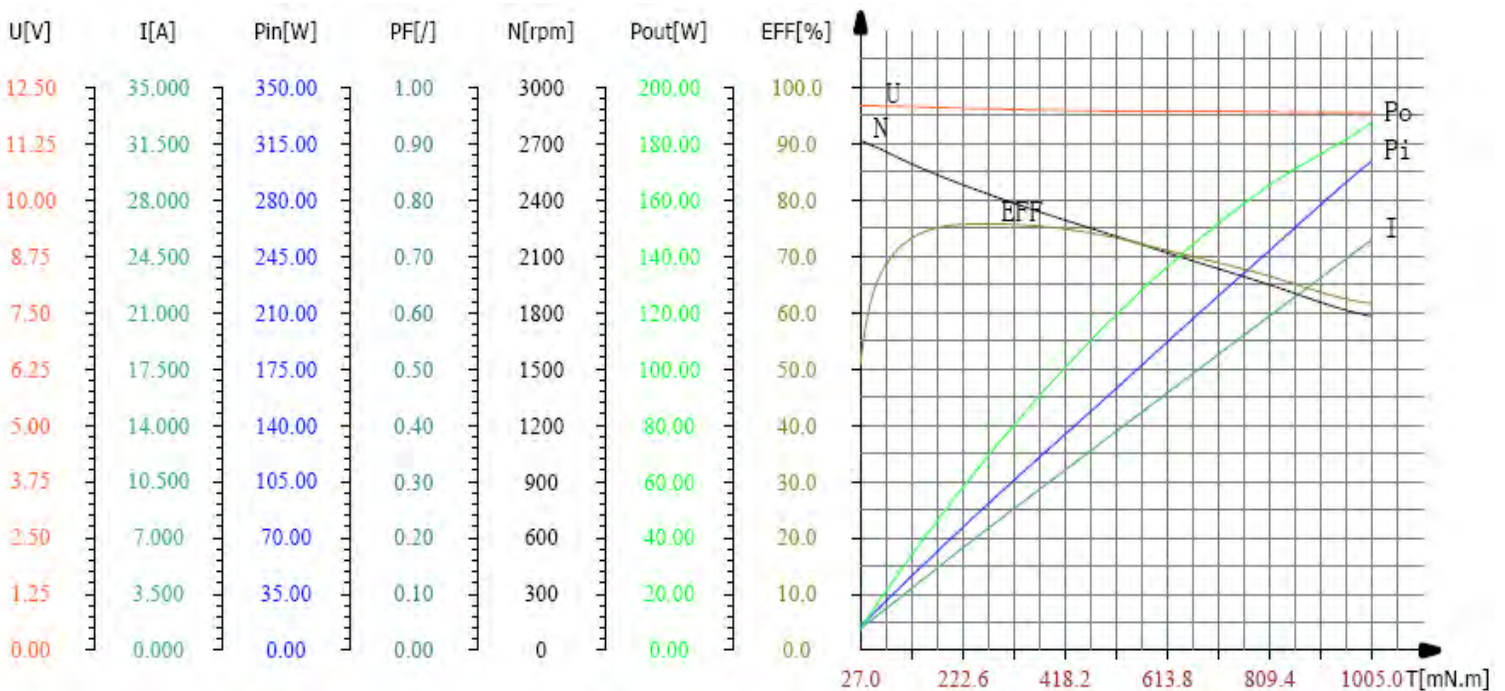
1. 工作电压范围: 6 ~ 36VDC
2. 额定转速范围: 2,000 ~ 8000 RPM
3. 输出功率范围: 30 ~ 300 W



Motor Dimensions (外形尺寸图)



Motor Test Curve (电机特性曲线)



Jundi DC Motor CO.,LTD

• Motor Dynamic Test Data (电机动态测试数据)

项次NO.	电压V	电流A	输入功率W	功率因数PF	频率Hz	转矩mN.m	转速rpm	输出功率W	效率%
1	12.09	1.359	14.97	1.000	0.00	27.0	2714	7.67	51.3
2	12.09	1.362	15.01	1.000	0.00	27.0	2714	7.67	51.1
3	12.09	1.368	15.08	1.000	0.00	27.0	2714	7.67	50.9
4	12.09	1.375	15.15	1.000	0.00	27.0	2715	7.68	50.7
5	12.09	1.371	15.09	1.000	0.00	27.0	2716	7.68	50.9
6	12.09	1.362	14.98	1.000	0.00	27.0	2718	7.68	51.3
7	12.09	1.360	14.99	1.000	0.00	27.0	2716	7.68	51.2
8	12.09	1.370	15.08	1.000	0.00	28.0	2714	7.96	52.8
9	12.09	1.393	15.38	1.000	0.00	28.0	2716	7.96	51.8
10	12.09	1.422	15.76	1.000	0.00	29.0	2715	8.24	52.3
11	12.09	1.458	16.24	1.000	0.00	30.0	2713	8.52	52.5
12	12.09	1.491	16.70	1.000	0.00	32.0	2711	9.08	54.4
13	12.09	1.533	17.23	1.000	0.00	34.0	2708	9.64	55.9
14	12.09	1.585	17.92	1.000	0.00	36.0	2706	10.20	56.9
15	12.09	1.654	18.79	1.000	0.00	39.0	2701	11.03	58.7
16	12.09	1.746	19.96	1.000	0.00	43.0	2698	12.15	60.9
17	12.09	1.820	20.90	1.000	0.00	46.0	2694	12.98	62.1
18	12.09	1.965	22.70	1.000	0.00	50.0	2689	14.08	62.0
19	12.09	2.040	23.71	1.000	0.00	56.0	2684	15.74	66.4
20	12.09	2.215	25.92	1.000	0.00	62.0	2674	17.36	67.0
21	12.09	2.384	27.95	1.000	0.00	66.0	2669	18.45	66.0
22	12.08	2.538	29.95	1.000	0.00	73.0	2660	20.33	67.9
23	12.08	2.778	32.83	1.000	0.00	82.0	2651	22.76	69.3
24	12.08	2.922	34.73	1.000	0.00	87.0	2644	24.09	69.4
25	12.08	3.178	37.76	1.000	0.00	97.0	2633	26.74	70.8
26	12.08	3.367	40.14	1.000	0.00	107.0	2619	29.34	73.1
27	12.07	3.671	43.79	1.000	0.00	118.0	2596	32.08	73.2

地址: 浙江省余姚市经济开发区B区横三路。TEL: 0574-62820655/62831828, FAX: 0574-62823099

E-mail: jundi@mail.nbptt.zj.cn / jundi@vip.163.com 网址: <http://www.jdmotor.com>

Jundi DC Motor CO.,LTD

项次 NO.	电压V	电流A	输入功率W	功率因数PF	频率Hz	转矩mN. m	转速rpm	输出功率W	效率%
28	12.07	3.943	47.09	1.000	0.00	126.0	2586	34.12	72.5
29	12.07	4.238	50.67	1.000	0.00	138.0	2572	37.17	73.3
30	12.06	4.584	54.77	1.000	0.00	152.0	2559	40.73	74.4
31	12.05	4.827	57.82	1.000	0.00	162.0	2550	43.26	74.8
32	12.05	5.170	62.02	1.000	0.00	177.0	2532	46.93	75.7
33	12.05	5.519	66.24	1.000	0.00	192.0	2514	50.54	76.3
34	12.04	5.970	71.60	1.000	0.00	208.0	2495	54.34	75.9
35	12.04	6.356	76.22	1.000	0.00	219.0	2485	56.99	74.8
36	12.03	6.765	81.20	1.000	0.00	235.0	2468	60.73	74.8
37	12.03	7.171	86.10	1.000	0.00	254.0	2449	65.14	75.7
38	12.02	7.592	90.99	1.000	0.00	275.0	2428	69.92	76.8
39	12.02	8.052	96.56	1.000	0.00	287.0	2416	72.61	75.2
40	12.02	8.462	101.67	1.000	0.00	307.0	2398	77.09	75.8
41	12.01	8.938	107.22	1.000	0.00	328.0	2378	81.67	76.2
42	12.01	9.470	113.56	1.000	0.00	344.0	2365	85.19	75.0
43	12.00	9.965	119.44	1.000	0.00	365.0	2335	89.24	74.7
44	12.00	10.433	125.06	1.000	0.00	389.0	2312	94.17	75.3
45	11.98	10.953	130.94	1.000	0.00	412.0	2299	99.18	75.7
46	11.98	11.532	137.78	1.000	0.00	428.0	2285	102.41	74.3
47	11.98	12.023	144.06	1.000	0.00	452.0	2262	107.06	74.3
48	11.98	12.581	150.77	1.000	0.00	477.0	2242	111.98	74.3
49	11.98	13.154	157.47	1.000	0.00	495.0	2229	115.53	73.4
50	11.97	13.727	164.19	1.000	0.00	520.0	2205	120.06	73.1
51	11.97	14.286	171.06	1.000	0.00	546.0	2181	124.69	72.9
52	11.96	14.869	177.84	1.000	0.00	573.0	2156	129.36	72.7
53	11.97	15.516	185.94	1.000	0.00	590.0	2142	132.33	71.2
54	11.98	16.048	192.28	1.000	0.00	616.0	2121	136.81	71.1

地址：浙江省余姚市经济开发区B区横三路。TEL：0574-62820655/62831828, FAX：0574-62823099

E-mail: jundi@mail.nbptt.zj.cn / jundi@vip.163.com 网址: <http://www.jdmotor.com>

