

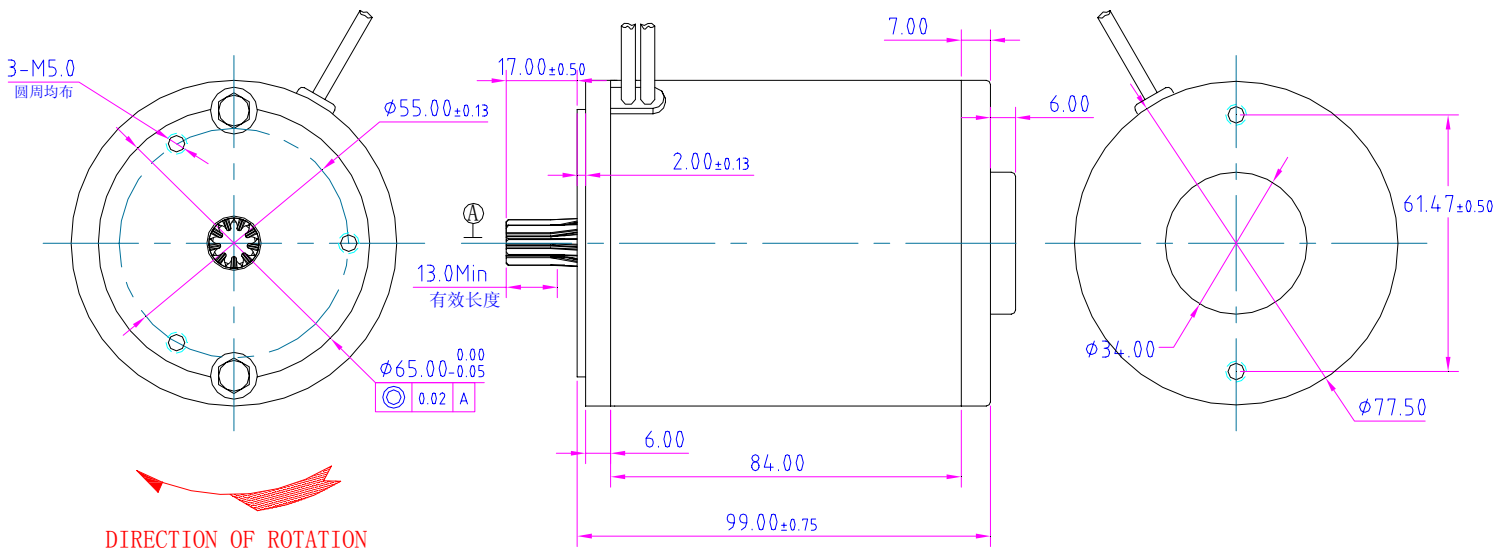
JD-78ZYT12-5740

Magnet (磁铁): Ferrite 铁氧体
 Insulation Class 绝缘等级: B , F
 Protection 防护等级: No
 Shaft OD 出轴直径: 8 ~ 12mm
 Bearing 轴承: Ball / Sleeve
 Winding 绕线选择:

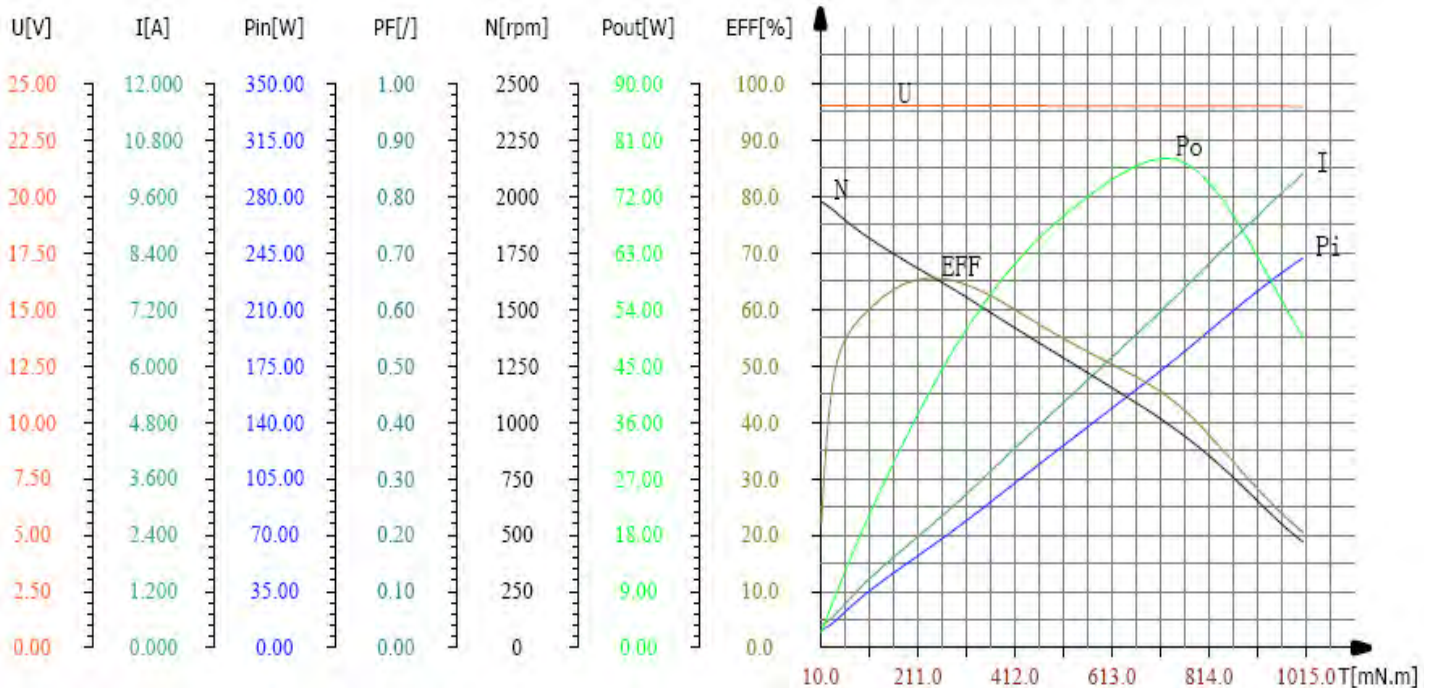
1. 工作电压范围: 6 ~ 36VDC
2. 额定转速范围: 2,000 ~ 8000 RPM
3. 输出功率范围: 30 ~ 300 W



Motor Dimensions (外形尺寸图)



Motor Test Curve (电机特性曲线)



Jundi DC Motor CO.,LTD

• Motor Dynamic Test Data (电机动态测试数据)

| 项次NO. | 电压V | 电流A | 输入功率W | 功率因数PF | 频率Hz | 转矩mN.m | 转速rpm | 输出功率W | 效率% |
|-------|-------|-------|-------|--------|------|--------|-------|-------|------|
| 1 | 24.03 | 0.489 | 11.29 | 1.000 | 0.00 | 14.0 | 1971 | 2.89 | 25.6 |
| 2 | 24.03 | 0.489 | 11.30 | 1.000 | 0.00 | 12.0 | 1972 | 2.48 | 21.9 |
| 3 | 24.03 | 0.489 | 11.30 | 1.000 | 0.00 | 13.0 | 1972 | 2.68 | 23.8 |
| 4 | 24.03 | 0.490 | 11.32 | 1.000 | 0.00 | 10.0 | 1974 | 2.07 | 18.3 |
| 5 | 24.03 | 0.493 | 11.38 | 1.000 | 0.00 | 13.0 | 1972 | 2.68 | 23.6 |
| 6 | 24.03 | 0.501 | 11.61 | 1.000 | 0.00 | 15.0 | 1970 | 3.09 | 26.7 |
| 7 | 24.03 | 0.513 | 11.90 | 1.000 | 0.00 | 18.0 | 1969 | 3.71 | 31.2 |
| 8 | 24.03 | 0.533 | 12.43 | 1.000 | 0.00 | 20.0 | 1966 | 4.12 | 33.1 |
| 9 | 24.03 | 0.554 | 12.95 | 1.000 | 0.00 | 24.0 | 1960 | 4.93 | 38.0 |
| 10 | 24.03 | 0.588 | 13.79 | 1.000 | 0.00 | 26.0 | 1956 | 5.33 | 38.6 |
| 11 | 24.03 | 0.623 | 14.65 | 1.000 | 0.00 | 31.0 | 1949 | 6.33 | 43.2 |
| 12 | 24.03 | 0.677 | 16.00 | 1.000 | 0.00 | 37.0 | 1938 | 7.51 | 46.9 |
| 13 | 24.03 | 0.728 | 17.24 | 1.000 | 0.00 | 45.0 | 1925 | 9.07 | 52.6 |
| 14 | 24.03 | 0.805 | 19.15 | 1.000 | 0.00 | 51.0 | 1916 | 10.23 | 53.4 |
| 15 | 24.03 | 0.876 | 20.87 | 1.000 | 0.00 | 61.0 | 1900 | 12.14 | 58.1 |
| 16 | 24.03 | 1.003 | 23.97 | 1.000 | 0.00 | 72.0 | 1882 | 14.19 | 59.2 |
| 17 | 24.03 | 1.177 | 28.27 | 1.000 | 0.00 | 80.0 | 1868 | 15.65 | 55.4 |
| 18 | 24.03 | 1.325 | 31.72 | 1.000 | 0.00 | 94.0 | 1831 | 18.02 | 56.8 |
| 19 | 24.03 | 1.450 | 35.00 | 1.000 | 0.00 | 109.0 | 1805 | 20.60 | 58.9 |
| 20 | 24.03 | 1.630 | 39.13 | 1.000 | 0.00 | 126.0 | 1788 | 23.59 | 60.3 |
| 21 | 24.03 | 1.778 | 42.85 | 1.000 | 0.00 | 139.0 | 1776 | 25.85 | 60.3 |
| 22 | 24.03 | 1.978 | 47.63 | 1.000 | 0.00 | 160.0 | 1746 | 29.25 | 61.4 |
| 23 | 24.03 | 2.154 | 51.98 | 1.000 | 0.00 | 181.0 | 1714 | 32.49 | 62.5 |
| 24 | 24.02 | 2.301 | 56.00 | 1.000 | 0.00 | 194.0 | 1694 | 34.41 | 61.5 |
| 25 | 24.02 | 2.563 | 61.89 | 1.000 | 0.00 | 273.0 | 1660 | 47.45 | 76.7 |
| 26 | 24.02 | 2.732 | 66.42 | 1.000 | 0.00 | 274.0 | 1624 | 46.59 | 70.1 |
| 27 | 24.02 | 3.022 | 72.86 | 1.000 | 0.00 | 284.0 | 1567 | 46.60 | 64.0 |

地址：浙江省余姚市经济开发区B区横三路。TEL：0574-62820655/62831828, FAX：0574-62823099

E-mail: jundi@mail.nbptt.zj.cn / jundi@vip.163.com 网址: <http://www.jdmotor.com>

Jundi DC Motor CO.,LTD

| 项次NO. | 电压V | 电流A | 输入功率W | 功率因数PF | 频率Hz | 转矩mN. m | 转速rpm | 输出功率W | 效率% |
|-------|-------|--------|--------|--------|------|---------|-------|-------|------|
| 28 | 24.02 | 3.293 | 79.34 | 1.000 | 0.00 | 284.0 | 1542 | 45.86 | 57.8 |
| 29 | 24.02 | 3.515 | 84.76 | 1.000 | 0.00 | 300.0 | 1524 | 47.87 | 56.5 |
| 30 | 24.02 | 3.803 | 91.40 | 1.000 | 0.00 | 411.0 | 1484 | 63.87 | 69.9 |
| 31 | 24.02 | 4.031 | 97.25 | 1.000 | 0.00 | 409.0 | 1458 | 62.44 | 64.2 |
| 32 | 24.01 | 4.339 | 104.41 | 1.000 | 0.00 | 418.0 | 1416 | 61.98 | 59.4 |
| 33 | 24.01 | 4.582 | 110.39 | 1.000 | 0.00 | 436.0 | 1374 | 62.73 | 56.8 |
| 34 | 24.01 | 4.898 | 117.78 | 1.000 | 0.00 | 463.0 | 1306 | 63.32 | 53.8 |
| 35 | 24.01 | 5.150 | 124.00 | 1.000 | 0.00 | 529.0 | 1280 | 70.90 | 57.2 |
| 36 | 24.01 | 5.465 | 131.27 | 1.000 | 0.00 | 535.0 | 1260 | 70.59 | 53.8 |
| 37 | 24.01 | 5.719 | 137.66 | 1.000 | 0.00 | 554.0 | 1214 | 70.42 | 51.2 |
| 38 | 24.01 | 6.051 | 145.37 | 1.000 | 0.00 | 604.0 | 1187 | 75.07 | 51.6 |
| 39 | 24.01 | 6.313 | 151.98 | 1.000 | 0.00 | 616.0 | 1142 | 73.66 | 48.5 |
| 40 | 24.00 | 6.644 | 159.69 | 1.000 | 0.00 | 683.0 | 1067 | 76.31 | 47.8 |
| 41 | 24.00 | 6.902 | 165.96 | 1.000 | 0.00 | 691.0 | 1039 | 75.18 | 45.3 |
| 42 | 24.00 | 7.221 | 173.50 | 1.000 | 0.00 | 704.0 | 1018 | 75.04 | 43.3 |
| 43 | 24.00 | 7.471 | 179.72 | 1.000 | 0.00 | 767.0 | 970 | 77.90 | 43.3 |
| 44 | 24.00 | 7.788 | 187.17 | 1.000 | 0.00 | 776.0 | 921 | 74.84 | 40.0 |
| 45 | 24.00 | 8.032 | 193.19 | 1.000 | 0.00 | 787.0 | 888 | 73.18 | 37.9 |
| 46 | 24.00 | 8.297 | 199.62 | 1.000 | 0.00 | 842.0 | 809 | 71.33 | 35.7 |
| 47 | 24.00 | 8.595 | 206.45 | 1.000 | 0.00 | 854.0 | 777 | 69.48 | 33.7 |
| 48 | 24.00 | 8.810 | 211.84 | 1.000 | 0.00 | 876.0 | 736 | 67.51 | 31.9 |
| 49 | 23.99 | 9.089 | 218.49 | 1.000 | 0.00 | 896.0 | 702 | 65.86 | 30.1 |
| 50 | 23.99 | 9.295 | 223.48 | 1.000 | 0.00 | 923.0 | 622 | 60.12 | 26.9 |
| 51 | 23.99 | 9.452 | 227.57 | 1.000 | 0.00 | 949.0 | 599 | 59.52 | 26.2 |
| 52 | 23.99 | 9.714 | 233.37 | 1.000 | 0.00 | 966.0 | 543 | 54.93 | 23.5 |
| 53 | 23.99 | 9.859 | 237.25 | 1.000 | 0.00 | 989.0 | 507 | 52.51 | 22.1 |
| 54 | 23.99 | 10.082 | 241.83 | 1.000 | 0.00 | 1010.0 | 468 | 49.50 | 20.5 |

地址：浙江省余姚市经济开发区B区横三路。TEL：0574-62820655/62831828, FAX：0574-62823099

E-mail: jundi@mail.nbptt.zj.cn / jundi@vip.163.com 网址: <http://www.jdmotor.com>