

## JD-32ZYN08-3132

Magnet (磁铁): Neodymium 钕铁硼

Insulation Class 绝缘等级: B , F

Protection 防护等级: No

Shaft OD 出轴直径: 8 ~ 12mm

Bearing 轴承: Ball / Sleeve

Winding 绕线选择:

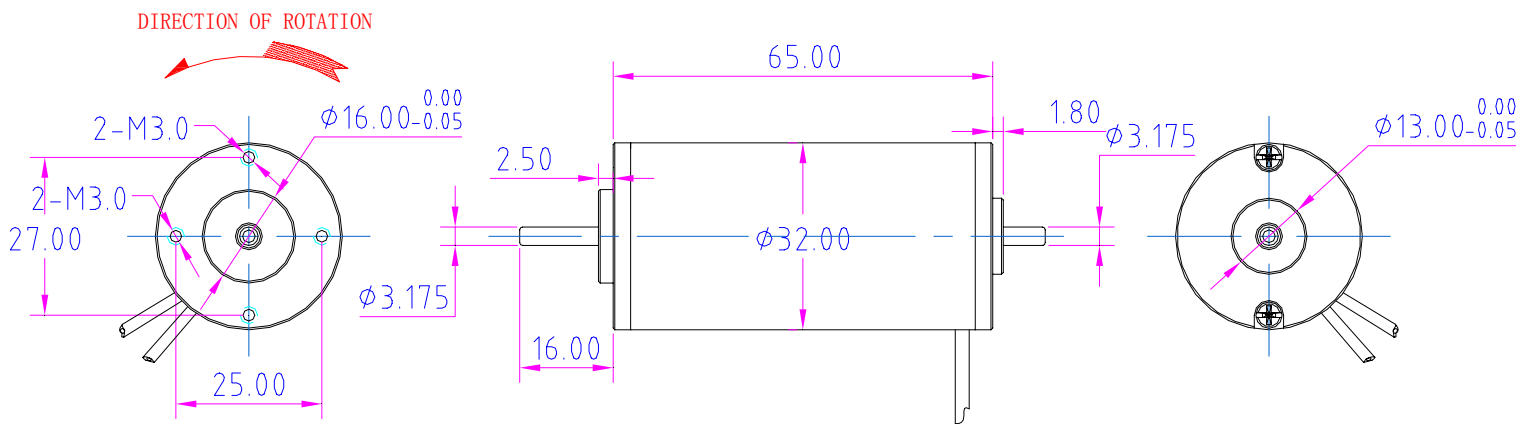
1.工作电压范围: 6 ~ 36VDC

2.额定转速范围: 2,000 ~ 18,000 RPM

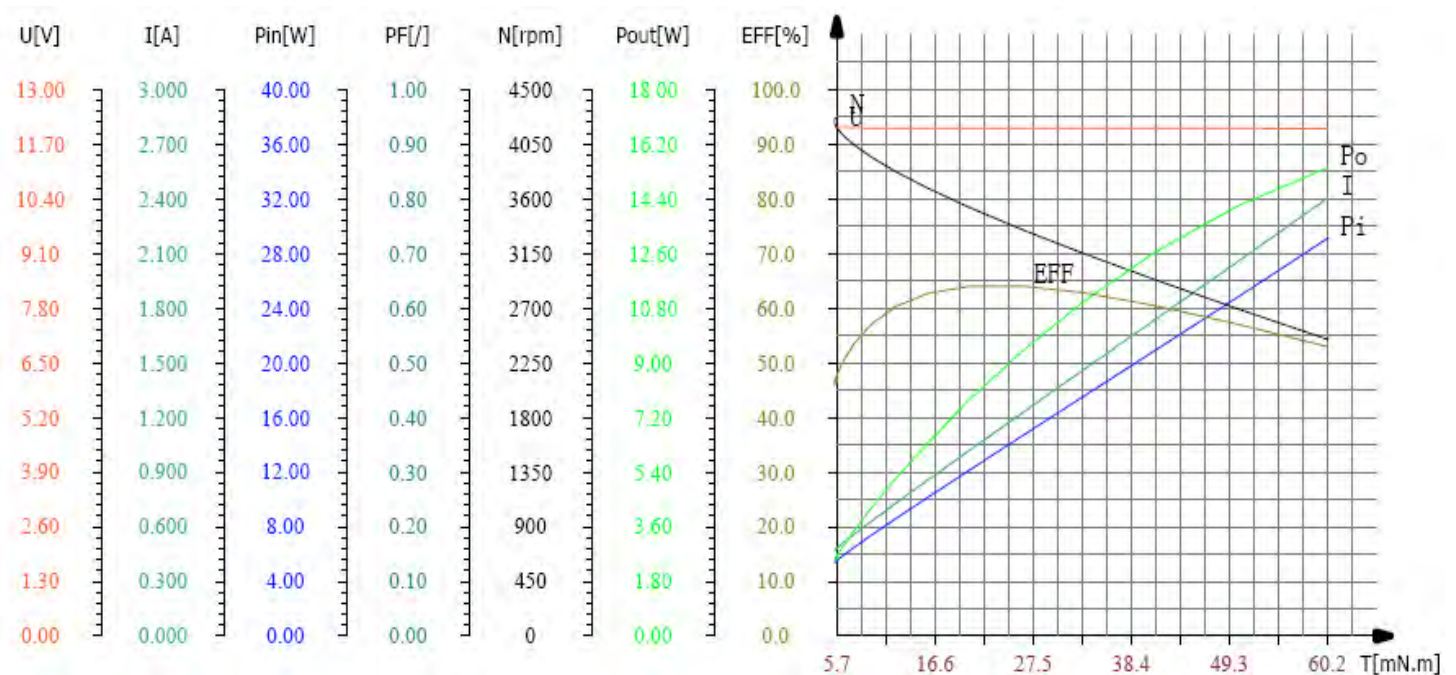
3.输出功率范围: 10 ~ 80 W



### Motor Dimensions (外形尺寸图)



### Motor Test Curve (电机特性曲线)



地址: 浙江省余姚市经济开发区 B 区横三路。TEL: 0574-62820655/62831828, FAX: 0574-62823099

E-mail: [jundi@mail.nbptt.zj.cn](mailto:jundi@mail.nbptt.zj.cn) / [jundi@vip.163.com](mailto:jundi@vip.163.com) 网址: <http://www.jdmotor.com>

