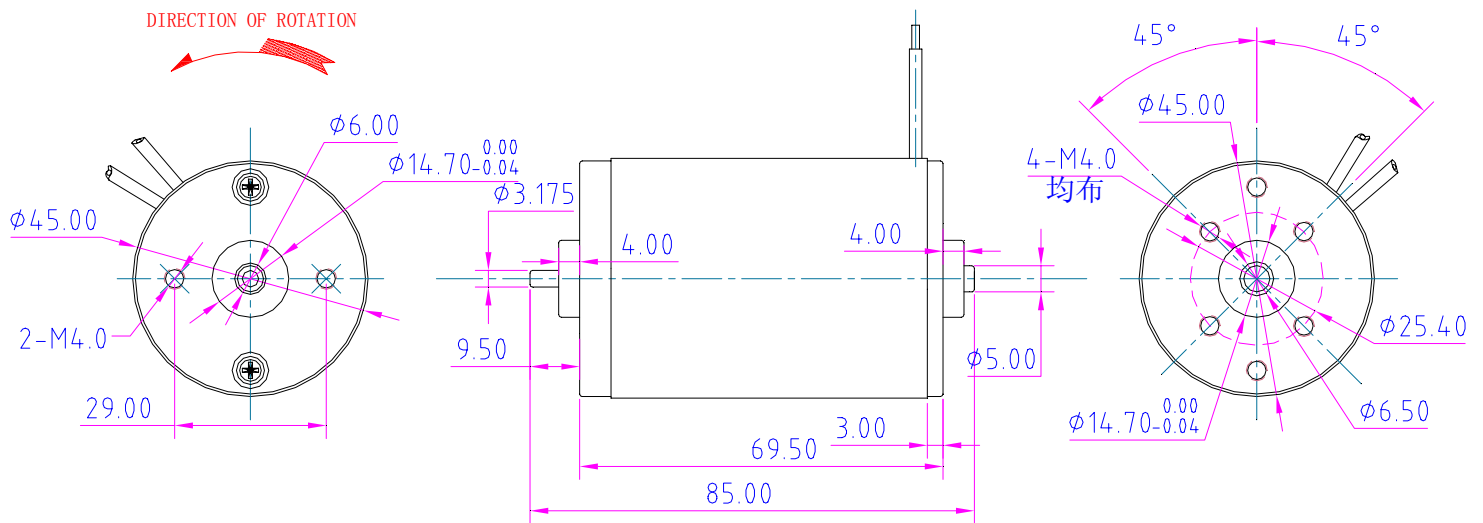


JD-45ZYT05-27120

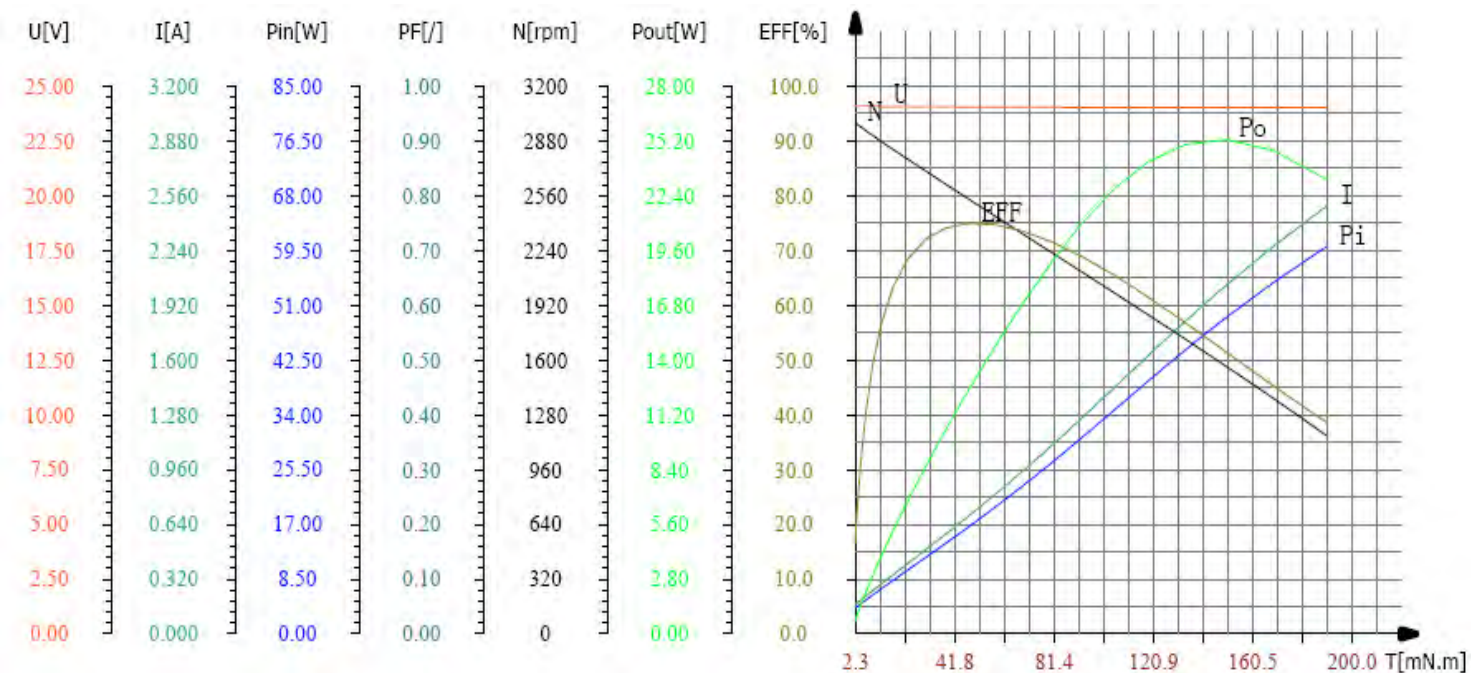
Magnet (磁铁): Ferrite 铁氧体
 Insulation Class 绝缘等级: B , F
 Protection 防护等级: No
 Shaft OD 出轴直径: 8 ~ 12mm
 Bearing 轴承: Ball / Sleeve
 Winding 绕线选择:
 1. 工作电压范围: 6 ~ 36VDC
 2. 额定转速范围: 2,000 ~ 18,000 RPM
 3. 输出功率范围: 10 ~ 120 W



Motor Dimensions (外形尺寸图)



Motor Test Curve (电机特性曲线)



Jundi DC Motor CO.,LTD

• Motor Dynamic Test Data (电机动态测试数据)

项次 NO.	电压V	电流A	输入功率W	功率因数PF	频率Hz	转矩mN.m	转速rpm	输出功率W	效率%
1	24.08	0.179	4.15	1.000	0.00	2.3	2983	0.72	17.3
2	24.08	0.179	4.15	1.000	0.00	2.3	2983	0.72	17.3
3	24.08	0.178	4.14	1.000	0.00	2.3	2984	0.72	17.4
4	24.08	0.178	4.14	1.000	0.00	2.4	2984	0.75	18.1
5	24.08	0.179	4.15	1.000	0.00	2.4	2984	0.75	18.1
6	24.08	0.177	4.09	1.000	0.00	2.5	2984	0.78	19.1
7	24.08	0.179	4.16	1.000	0.00	2.6	2981	0.81	19.5
8	24.08	0.188	4.39	1.000	0.00	3.2	2974	1.00	22.7
9	24.08	0.203	4.77	1.000	0.00	4.5	2958	1.39	29.2
10	24.08	0.224	5.32	1.000	0.00	6.3	2937	1.94	36.4
11	24.08	0.253	6.03	1.000	0.00	11.8	2919	3.61	59.8
12	24.08	0.292	6.99	1.000	0.00	12.7	2863	3.81	54.4
13	24.08	0.341	8.19	1.000	0.00	14.1	2825	4.17	50.9
14	24.08	0.401	9.65	1.000	0.00	21.9	2793	6.40	66.3
15	24.08	0.475	11.47	1.000	0.00	27.9	2721	7.95	69.3
16	24.07	0.561	13.55	1.000	0.00	40.5	2651	11.24	83.0
17	24.07	0.694	16.77	1.000	0.00	41.3	2561	11.08	66.0
18	24.03	0.824	19.84	1.000	0.00	58.4	2438	14.91	75.2
19	24.01	0.947	22.85	1.000	0.00	70.9	2330	17.30	75.7
20	24.00	1.097	26.44	1.000	0.00	80.2	2229	18.72	70.8
21	24.00	1.261	30.39	1.000	0.00	95.8	2073	20.80	68.4
22	24.03	1.438	34.71	1.000	0.00	111.7	1910	22.34	64.4
23	24.05	1.634	39.44	1.000	0.00	122.8	1828	23.51	59.6
24	24.04	1.803	43.65	1.000	0.00	141.7	1640	24.33	55.7
25	24.03	2.055	49.47	1.000	0.00	147.0	1553	23.90	48.3
26	24.03	2.252	54.27	1.000	0.00	170.8	1382	24.72	45.5
27	24.03	2.500	60.13	1.000	0.00	190.1	1156	23.01	38.3

地址：浙江省余姚市经济开发区B区横三路。TEL：0574-62820655/62831828，FAX：0574-62823099

E-mail：jundi@mail.nbptt.zj.cn / jundi@vip.163.com 网址：<http://www.jdmotor.com>