

JD-45ZYT05-3860

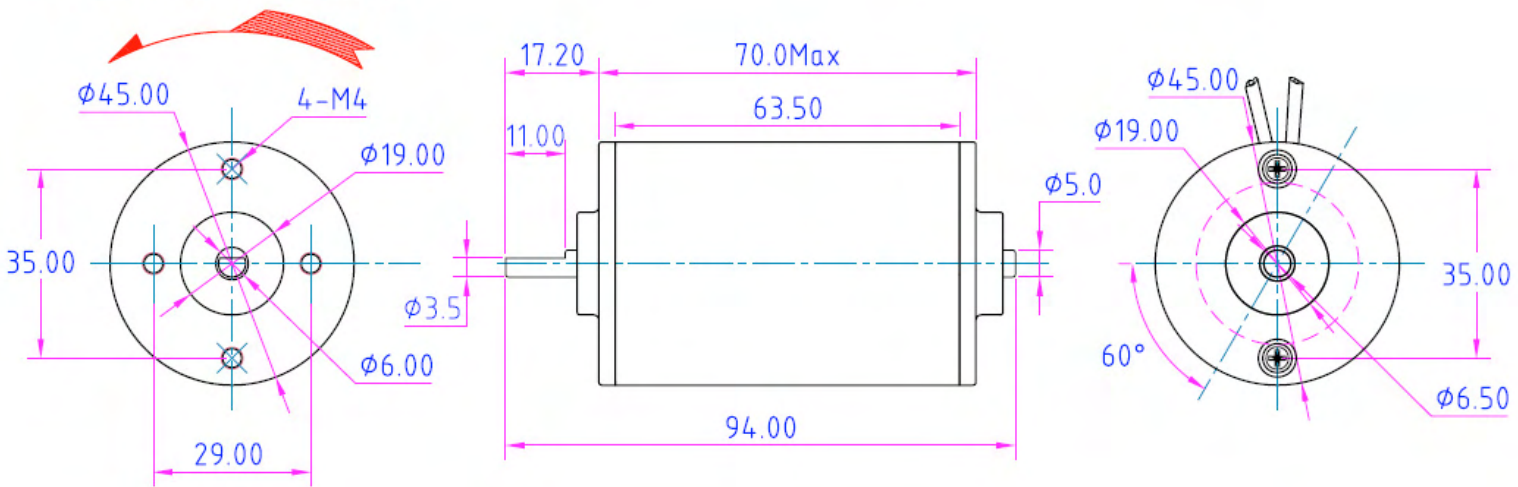
Magnet (磁铁): Ferrite 铁氧体
 Insulation Class 绝缘等级: B , F
 Protection 防护等级: No
 Shaft OD 出轴直径: 8 ~ 12mm
 Bearing 轴承: Ball / Sleeve
 Winding 绕线选择:

1. 工作电压范围: 6 ~ 36VDC
2. 额定转速范围: 2,000 ~ 18,000 RPM
3. 输出功率范围: 10 ~ 120 W

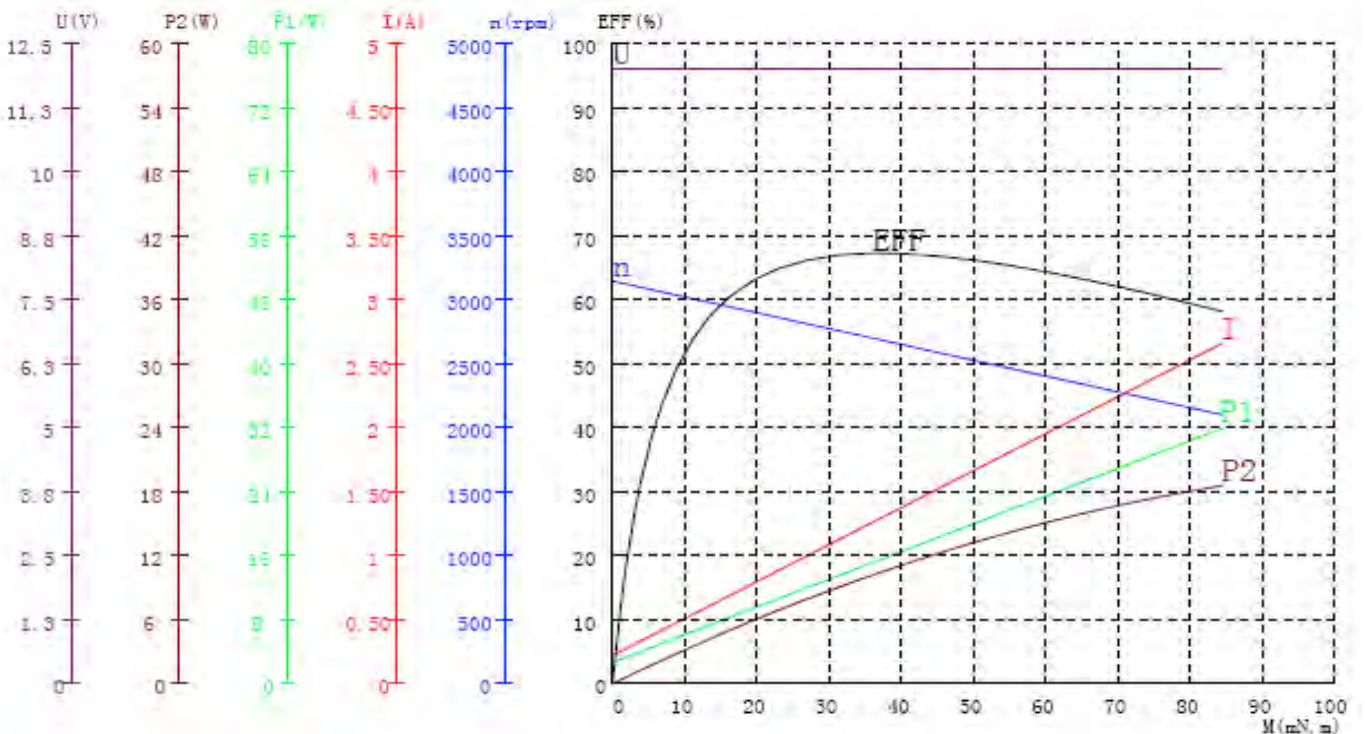


• **Motor Dimensions (外形尺寸图)**

DIRECTION OF ROTATION



• **Motor Test Curve (电机特性曲线)**



Jundi DC Motor CO.,LTD

• Motor Dynamic Test Data (电机动态测试数据)

No	U(V)	I(A)	Pi(W)	M(mN. m)	n(rpm)	Po(W)	EFF(%)
1	12.00	0.220	2.6	0.00	3145	0.00	0.0
2	12.00	0.224	2.7	0.12	3143	0.04	1.4
3	12.00	0.227	2.7	0.23	3142	0.08	2.8
4	12.00	0.230	2.8	0.35	3141	0.12	4.2
5	12.00	0.234	2.8	0.47	3139	0.15	5.5
6	12.00	0.237	2.8	0.58	3138	0.19	6.7
7	12.00	0.240	2.9	0.70	3136	0.23	8.0
8	12.00	0.232	2.8	0.40	3140	0.13	4.7
9	12.00	0.240	2.9	0.70	3136	0.23	8.0
10	12.00	0.243	2.9	0.80	3135	0.26	9.0
11	12.00	0.243	2.9	0.80	3135	0.26	9.0
12	12.00	0.261	3.1	1.40	3128	0.46	14.7
13	12.00	0.278	3.3	2.00	3120	0.65	19.6
14	12.00	0.313	3.7	3.20	3105	1.04	27.8
15	12.00	0.330	4.0	3.80	3098	1.23	31.2
16	12.00	0.376	4.5	5.40	3078	1.74	38.6
17	12.00	0.417	5.0	6.80	3061	2.18	43.6
18	12.00	0.475	5.7	8.80	3036	2.80	49.2
19	12.00	0.541	6.5	11.10	3008	3.50	53.9
20	12.00	0.605	7.3	13.30	2980	4.15	57.2
21	12.00	0.680	8.2	15.90	2948	4.91	60.2
22	12.00	0.781	9.4	19.40	2905	5.90	63.0
23	12.00	0.879	10.5	22.80	2863	6.83	64.8
24	12.00	0.998	12.0	26.90	2812	7.92	66.2
25	12.00	1.119	13.4	31.10	2760	8.99	66.9
26	12.00	1.246	15.0	35.50	2706	10.06	67.3
27	12.00	1.382	16.6	40.20	2647	11.14	67.2
28	12.00	1.521	18.2	45.00	2588	12.20	66.8
29	12.00	1.659	19.9	49.80	2529	13.19	66.2
30	12.00	1.816	21.8	55.20	2462	14.23	65.3
31	12.00	1.972	23.7	60.60	2395	15.20	64.2
32	12.00	2.133	25.6	66.20	2326	16.12	63.0
33	12.00	2.298	27.6	71.90	2255	16.98	61.6
34	12.00	2.472	29.7	77.90	2181	17.79	60.0
35	12.00	2.657	31.9	84.30	2102	18.55	58.2

地址：浙江省余姚市经济开发区B区横三路。TEL：0574-62820655/62831828，FAX：0574-62823099

E-mail: jundi@mail.nbptt.zj.cn / jundi@vip.163.com 网址: <http://www.jdmotor.com>